

DALI Bluetooth

Datasheet Interface



DALI Bluetooth Low Energy Interface
for controlling DALI-systems by
mobile devices

Art. Nr. 89453584

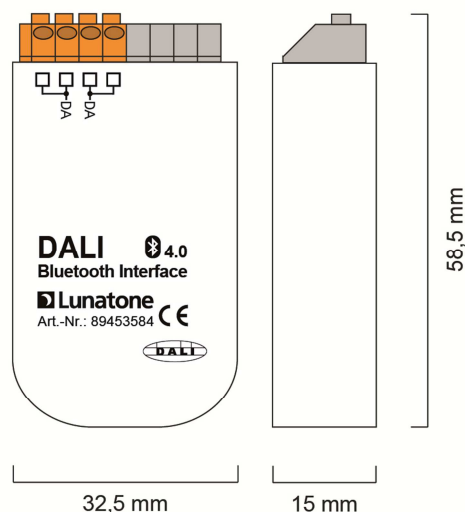
DALI Bluetooth 4.0 Interface

Overview

- DALI Bluetooth 4.0 interface
- DALI-System control via Panel or via Android or IOS mobile device
- App for IOS and Android available
- all bluetooth moduls within the reception area will be listed for selection
- up to 32 layouts configurable
- 5 preset designs available for color and colortemperature control as well as for switching and dimming with free configurable buttons
- Pin-code protection
- Configuration of the DALI Bluetooth module with DALI-Cockpit software tool und DALI-USB Interface
- Individual layout configuration: button arrangement and configuration of functions
- As function a link to another layout or a DALI-command can be assigned to each button
- A short address, a group address or broadcast can be defined as effective range for each DALI command
- Multi master capable, more than one module can be installed on a DALI-line
- The module is supplied by the DALI-line

Specification, Characteristics

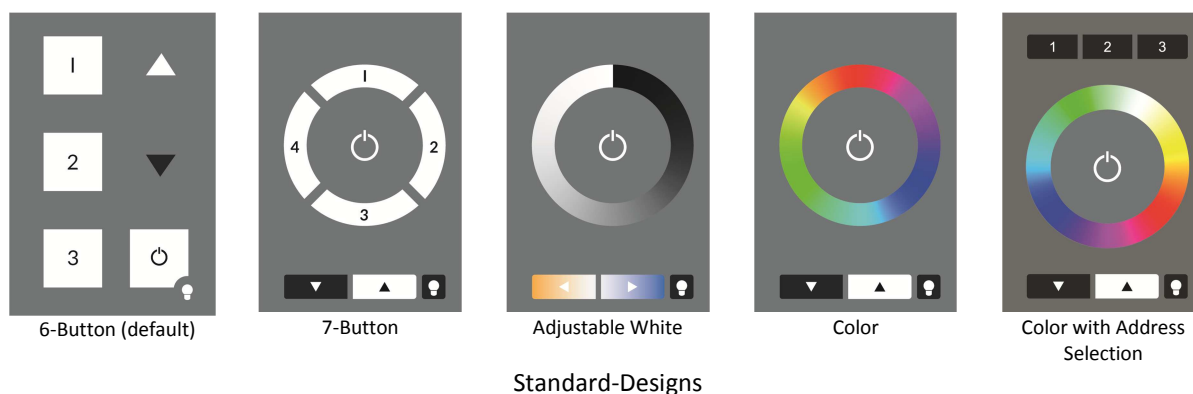
type	DALI Bluetooth Interface
article number	89453584
power supply	via DALI-line
typ. current consumption	4 mA
output	DALI
layout	selectable
function	configurable
storing temperature	-20°C ... +75°C
operational ambient temperature	-20°C ... +75°C
protection class	IP20
connecting wire cross section	0.5-1.5 mm ²
geometry (LxBxH)	59x33x15 mm



Bluetooth 4.0: Low Energy



geometry



Standard-Designs

Installation

The DALI Bluetooth interface is supplied directly via the DALI signal line by the DALI-line power supply (current consumption <4 mA). The connection is polarity-free and protected against overvoltage.

The DALI Bluetooth module can be installed easily in an installation box.

Addressing and Configuration

With the help of a DALI USB interface and the DALI-Cockpit software tool the module can be configured easily.

During addressing the module is detected and listed in the component tree. The free DALI Cockpit software tool can be downloaded from the Lunatone website and can be used for commissioning for DALI ballasts as well as for the DALI BT control device. DALI-Cockpit and DALI-USB interface are not required for standard operation and can be removed after installation is finished.

Adjustable Settings

The DALI circuit is controlled via an IOS or Android mobile device.

The app allows access to all DALI Bluetooth modules in the reception area.

While only one layout can be controlled on the panel itself, the app offers the possibility to switch between different layouts.

These layouts are defined using the DALI cockpit. Up to 32 layouts can be created, one of them must be defined as startup layout.

Up to 12 keys can be defined in each layout. The position and size of each button is as configurable as the function.

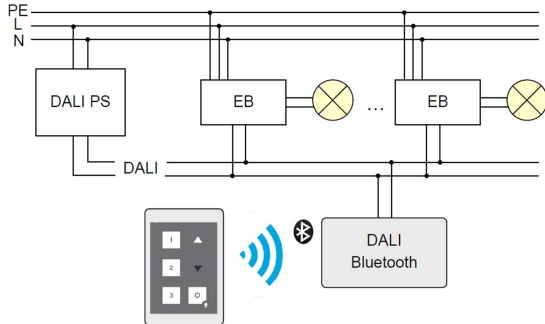
The function basically distinguishes between switching to a different layout ("Link" function) and a control action for the DALI circuit.

For an action for the DALI circuit the effective range (single address, group address, broadcast) and the corresponding DALI command or a predefined or self-defined DALI command sequence (macro) has to be defined.

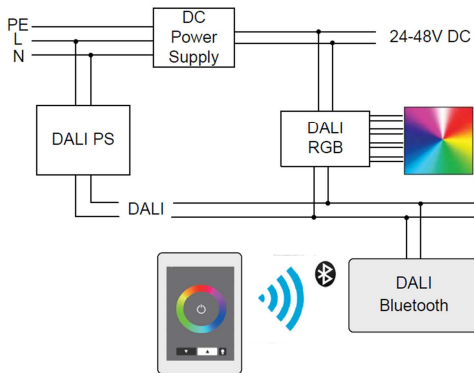
An additional feature is the pin-code protection.

By changing app images the layouts can be customized by each user.

Due to the reception radius of the Bluetooth connection (about 10 m), the module is preferably suitable for controlling individual rooms or zones.



typical structure: scene and group control



typical structure: color and color temperature control

Purchase Information

Art.Nr. 89453584, DALI-Bluetooth Interface for controlling DALI-systems by IOS or Android mobile devices

Additional Information and Equipment

DALI-Cockpit – free configuration tool from Lunatone for DALI systems

http://lunatone.at/en/downloads/Lunatone_DALI-Cockpit.zip

Lunatone DALI products

<http://www.lunatone.at/en/>

Lunatone datasheets and manuals

<http://lunatone.at/en/downloads/>

Contact

Technical Support: support@lunatone.com

Requests: sales@lunatone.com

www.lunatone.com

Disclaimer

Subject to change. Information provided without guarantee. The datasheet refers to the current delivery.

The compatibility with other devices must be tested in advance to the installation.